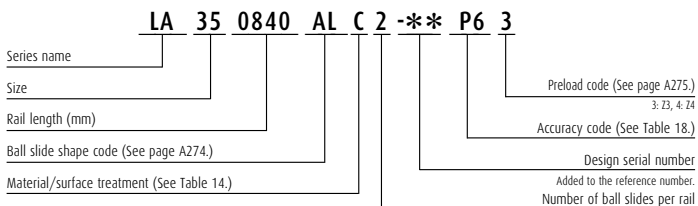


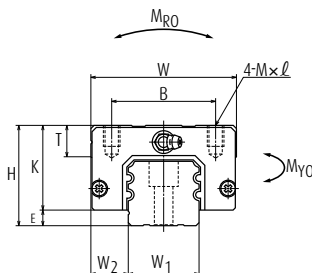
9. Dimensions

LA-AL (High-load type / Standard)

LA-BL (Super-high-load type / Long)



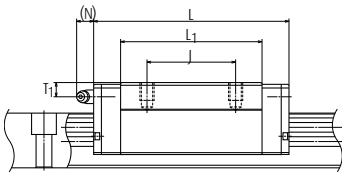
Front view of AL and BL types



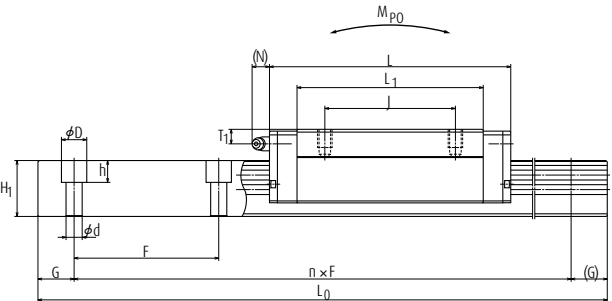
Model No.	Assembly			Ball slide												
	Height	E	W ₂	Width	Length	Mounting hole			L ₁	K	T	Grease fitting			Width	Height
						B	J	M × pitch × ℓ				Hole size	T ₁	N		
LA25AL	36	5.5	12.5	48	79.8	35	35	M6×1×7	58	30.5	8	M6×0.75	6	11	23	22
LA25BL	36	5.5	12.5	48	107.8	35	50	M6×1×7	86	30.5	8	M6×0.75	6	11	23	22
LA30AL	42	7.5	16	60	100.2	40	40	M8×1.25×10	72	34.5	11	M6×0.75	6.5	11	28	28
LA30BL	42	7.5	16	60	126.2	40	60	M8×1.25×10	98	34.5	11	M6×0.75	6.5	11	28	28
LA35AL	48	7.5	18	70	110.6	50	50	M8×1.25×10	80	40.5	15	M6×0.75	8	11	34	30.8
LA35BL	48	7.5	18	70	144.6	50	72	M8×1.25×10	114	40.5	15	M6×0.75	8	11	34	30.8
LA45AL	60	10	20.5	86	141.4	60	60	M10×1.5×16	105	50	17	Rc1/8	10	13	45	36
LA45BL	60	10	20.5	86	173.4	60	80	M10×1.5×16	137	50	17	Rc1/8	10	13	45	36
LA55AL	70	12	23.5	100	165.4	75	75	M12×1.75×16	126	58	18	Rc1/8	11	13	53	43.2
LA55BL	70	12	23.5	100	203.4	75	95	M12×1.75×16	164	58	18	Rc1/8	11	13	53	43.2

Notes 1) LA Series does not have a ball retainer. Be aware that balls fall out when the ball slide is withdrawn from the rail.

Side view of AL type



Side view of BL type



Unit: mm

Rail				Basic load rating								Weight	
Pitch F	Mounting bolt hole d × D × h	G (reference)	Maximum length L _{0max}	2) Dynamic		Static	M _{Ro}	Static moment (N-m)				Ball slide (kg)	Rail (kg/m)
				[50km] C ₅₀ (N)	[100km] C ₁₀₀ (N)	C ₀ (N)		M _{PO}		M _{YO}			
								One slide	Two slides	One slide	Two slides		
60	7×11×9	20	3 960	30 000	23 900	50 000	290	410	2 490	410	2 490	0.5	3.7
60	7×11×9	20	3 960	40 500	32 500	77 000	445	935	5 000	935	5 000	0.8	3.7
80	9×14×12	20	4 000	47 000	37 000	77 500	535	820	4 800	820	4 800	0.8	5.8
80	9×14×12	20	4 000	58 000	46 000	105 000	725	1 470	8 050	1 470	8 050	1.2	5.8
80	9×14×12	20	4 000	61 500	49 000	98 000	845	1 130	6 750	1 130	6 750	1.3	7.7
80	9×14×12	20	4 000	80 500	64 000	143 000	1 240	2 330	12 500	2 330	12 500	1.6	7.7
105	14×20×17	22.5	3 990	91 000	72 000	148 000	1 840	2 210	12 900	2 210	12 900	2.5	12.0
105	14×20×17	22.5	3 990	111 000	88 000	197 000	2 460	3 850	20 600	3 850	20 600	3.2	12.0
120	16×23×20	30	3 960	139 000	111 000	215 000	3 150	3 800	22 000	3 800	22 000	3.9	17.2
120	16×23×20	30	3 960	172 000	137 000	292 000	4 250	6 800	36 000	6 800	36 000	5.1	17.2

2) The basic load rating comply with the ISO standard. (ISO 14728-1, 14728-2)

C₅₀: the basic dynamic load rating for 50 km rated fatigue life

C₁₀₀: the basic dynamic load rating for 100 km rated fatigue life