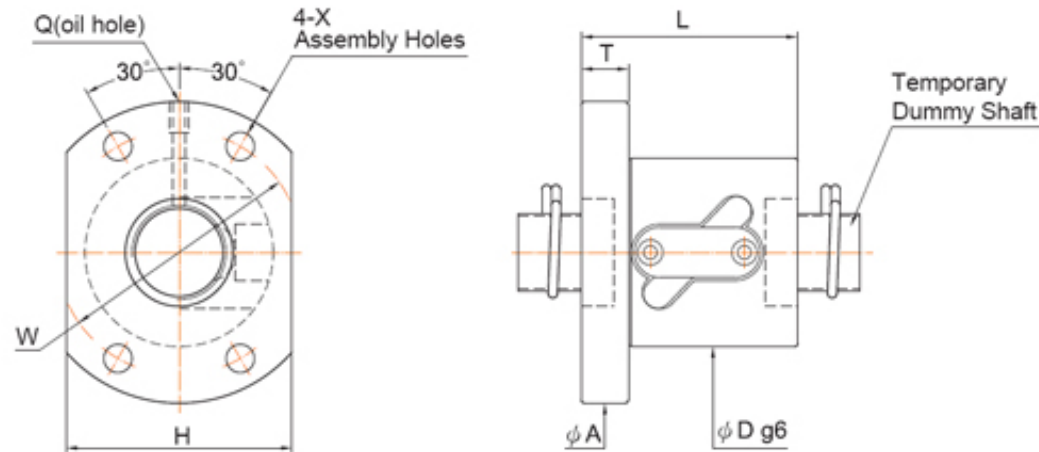


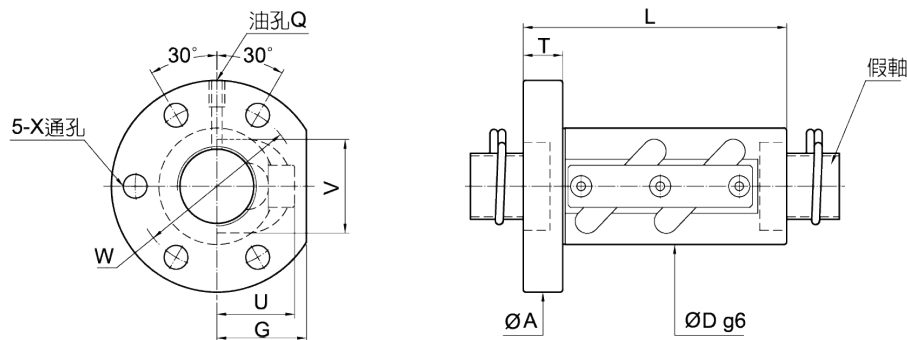
# Technisches Datenblatt – FSW/W



Screw size		Ball DIA.	Effective turns circuitxrow	BASIC RATE LOAD(kgf)		BALLNUT DIMENSION							STIFFNESS kgf/μm	Nut Model No.	
O.D.	Lead			Dynamic (1×10 <sup>6</sup> REV.) Ca	Static Co	O.D.	Length	Flange		Assembly Hole	Oil Hole				
						D	L	A	T	W	H	X	Q		
<b>12</b>	4	2.381	2.5x1	285	533	30	40	52	10	40	31	4.5	M6x1P	9	FSW/W1204A-2.5P
	5	2	2.5x1	270	350	26	40	47	10	37	30	4.5	M6x1P	8.2	FSW/W1205Z-2.5P
<b>14</b>	4	2.381	3.5x1	500	1100	35	42	57	10	45	40	4.5	M6x1P	15	FSW/W1404A-3.5P
	5	3.175	2.5x1	515	990	40	40	57	10	45	40	4.5	M6x1P	11	FSW/W1405B-2.5P
<b>15</b>	10	3.175	2.5x1	440	680	34	55	57	10	45	34	5.5	M6x1P	12	FSW/W1510B-2.5P
<b>16</b>	4	2.381	3.5x1	610	1470	34	42	57	11	45	34	5.5	M6x1P	17	FSW/W1604A-3.5P
	5	3.175	2.5x1	550	1140	40	41	63	11	51	42	5.5	M6x1P	13	FSW/W1605B-2.5P

	10	3.175	2.5x1	550	990	40	56	63	11	51	42	5.5	M6x1P	13	FSWW1610B-2.5P
<b>20</b>	4	2.381	2.5x2	1140	3120	40	56	67	11	55	52	5.5	M6x1P	30	FSWW2004A-5.0P
	5	3.175	2.5x1	625	1450	44	41	67	10	55	52	5.5	M6x1P	15	FSWW2005B-2.5P
	10	4.762	2.5x1	1100	2200	52	61	82	12	67	64	6.6	M6x1P	16	FSWW2010D-2.5P
<b>25</b>	5	3.175	2.5x2	1120	3710	50	56	73	11	61	56	6.6	M6x1P	37	FSWW2505B-5.0P
	10	4.762	2.5x1	1270	2780	58	65	85	15	71	64	6.6	M6x1P	20	FSWW2510D-2.5P
		6.35	2.5x2	3200	7170	60	97	96	15	78	72	9	M6x1P	40	FSWW2510F-5.0P
<b>28</b>	5	3.175	1.5x2	910	2470		46							21	FSWW2805B-3.0P
			2.5x1	780	2060		42							18	FSWW2805B-2.5P
			2.5x2	1410	4120	55	56	83	12	69	62	6.6	M8x1P	33	FSWW2805B-5.0P
			3.5x1	1040	2880		47							24	FSWW2805B-3.5P
<b>32</b>	5	3.175	2.5x2	1540	4720	58	57	85	12	71	64	6.6	M8x1P	41	FSWW3205B-5.0P
	10	6.35	2.5x2	3130	9410	67	97	103	15	85	78	9	M6x1P	49	FSWW3210F-5.0P
<b>36</b>	10	6.35	1.5x2	2170	6480		81							30	FSWW3610F-3.0P
			2.5x2	3370	10800	70	99	110	17	90	82	11	M6x1P	29	FSWW3610F-5.0P
			3.5x1	2480	7560		81							35	FSWW3610F-3.5P
<b>40</b>	5	3.175	2.5x2	1830	5940	67	60	101	15	83	78	9	M8x1P	60	FSWW4005B-5.0P
	10	6.35	2.5x2	3520	12000	76	100	116	17	96	88	11	M6x1P	59	FSWW4010F-5.0P
<b>50</b>	10	6.35	2.5x2	3900	15000	88	101	128	18	108	100	11	M6x1P	72	FSWW5010F-5.0P
<b>63</b>	10	6.35	2.5x2	4770	18660	108	105	154	22	130	116	14	M8x1P	75	FSWW6310F-5.0P
<b>80</b>	10	6.35	2.5x2	5340	23750	130	105	176	22	152	132	14	M8x1P	90	FSWW8010F-5.0P

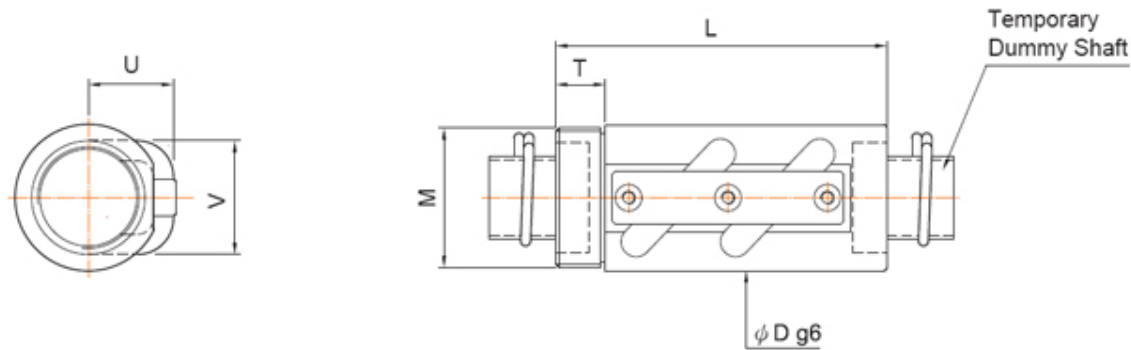
# Technisches Datenblatt – FSVW



SCREW SIZE		BALL DIA.	EFFECTIVE TURNS circuit × row	BASIC RATE LOAD (kgf)		BALLNUT DIMENSION											
O.D.	LEAD			Dynamic (1×10 <sup>6</sup> REV.) Ca	Static Co	O.D.	Length	Flange					Return tube	Assembly Hole	Oil Hole	STIFFNESS	Nut Model NO.
								D	L	A	T	W					
14	4	2.381	3.5x1	500	1100	25	42	55	10	40	19	19	21	4.5	M6x1P	15	FSVW1404A-3.5P
	5	3.175	2.5x1	515	990	30	43	50	10	40	22	19	21	4.5	M6x1P	11	FSVW1405B-2.5P
16	5	3.175	2.5x2	1000	2280	31	60	54	12	41	24	20	23	5.5	M6x1P	23	FSVW1605B-5.0P
20	5	3.175	2.5x2	1130	2900	40	60	60	12	50	28	23	27	4.5	M6x1P	28	FSVW2005B-5.0P
	10	4.762	2.5x1	1100	2200	40	60	67	12	53	30	27	30	6.6	M6x1P	16	FSVW2010D-2.5P
	5	3.175	2.5x1	720	1830	42	45	71	12	57	28	25	32	6.6	M6x1P	18	FSVW2505B-2.5P
25	10	4.762	3.5x1	1690	3900	45	75	72	16	58	34	29	34	6.6	M6x1P	27	FSVW2510D-3.5P
	10	6.35	2.5x1	1720	3590	44	68	79	15	62	34	30	37	9	M6x1P	21	FSVW2510F-2.5P
28	5	3.175	1.5x2	910	2470	44	50	70	12	56	28	28	35	6.6	M6x1P	21	FSVW2805B-3.0P
			2.5x1	780	2060		45									18	FSVW2805B-2.5P
			2.5x2	1410	4120		60									30	FSVW2805B-5.0P
			3.5x1	1040	2880		50									49	FSVW2805B-3.5P
32	5	3.175	2.5x2	1540	4720	50	60	76	12	63	36	30	39	6.6	M6x1P	41	FSVW3205B-5.0P
	10	6.35	2.5x2	3130	9410	55	101	97	18	75	39	37	44	11	M6x1P	49	FSVW3210F-5.0P
36	10	6.35	1.5x2	2170	6480	60	82	105	18	80	42	40	49	11	M6x1P	30	FSVW3610F-3.0P
40	5	3.175	3.5x1	1350	4160	58	55	92	16	72	42	34	46	9	M8x1P	43	FSVW4005B-3.5P
	10	6.35	3.5x1	2590	8400	65	82	106	18	85	44	42	52	11	PT1/8"	45	FSVW4010F-3.5P
50	10	6.35	3.5x2	4940	21000	80	125	138	22	110	52	48	62	18	M6x1P	98	FSVW5010F-7.0P
63	10	6.35	2.5x2	4770	18660	108	105	154	22	130	44	53	76	14	M8x1P	75	FSVW6310F-5.0P
80	10	6.35	2.5x2	5340	23750	130	105	176	22	152	48	64	91	14	M8x1P	90	FSVW8010F-5.0P

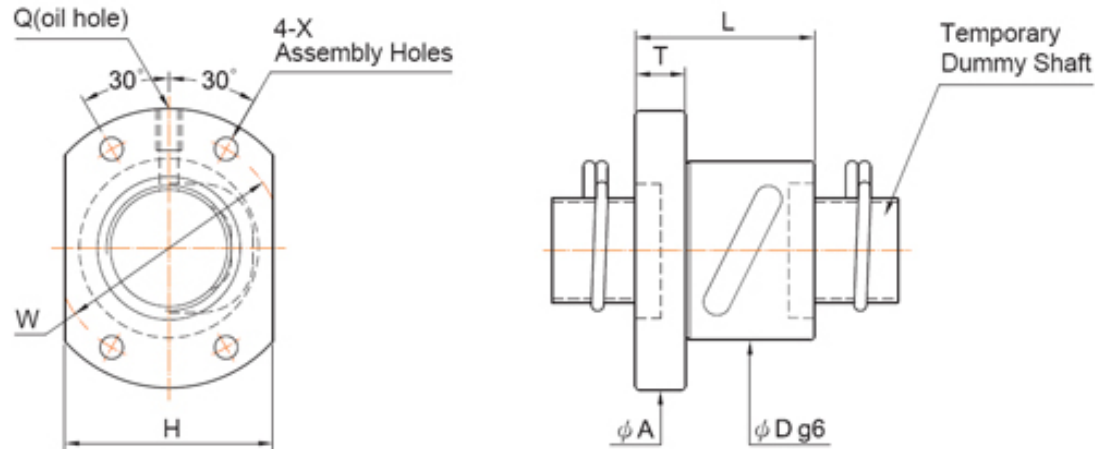
**Note:** Stiffness of nut: Stiffness values listed above are derived from theoretical formula to the elastic deformation between thread grooves and balls while axial load is 30% dynamic load rating.

# Technisches Datenblatt – RSVW



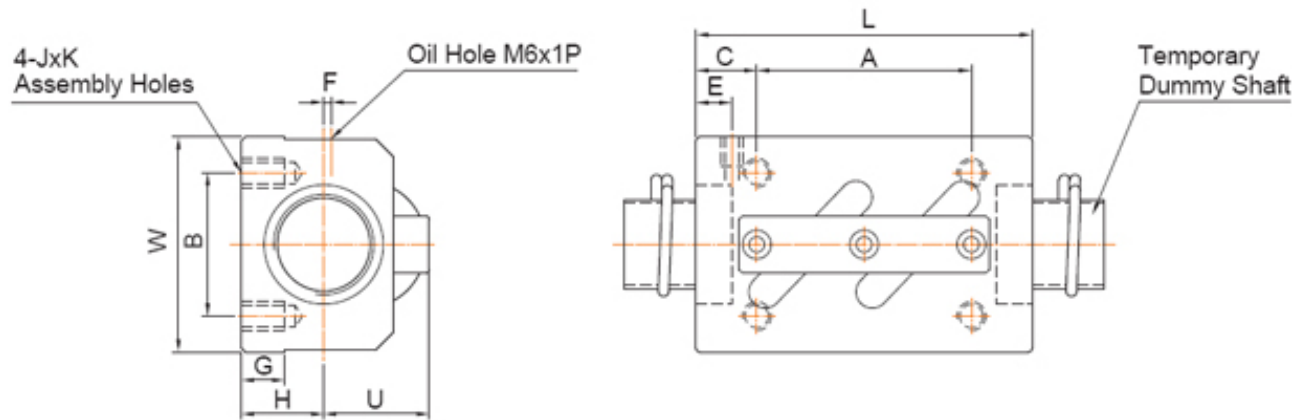
Screw size		BASIC RATE LOAD(kgf)				O.D.	Length	BALLNUT DIMENSION				STIFFNESS	Nut Model No.
O.D.	Lead	Ball DIA.	Effective turns circuitxrow	Dynamic (1x10 <sup>6</sup> REV.) Ca	Static Co	D	L	Flange M	Return Tube T	U	V	kgf/μm	
<b>14</b>	4	2.381	3.5x1	500	1100	25	42	M24x1.0P	10	19	21	15	RSVW1404A-3.5P
	5	3.175	2.5x1	515	990	30	43	M26x1.5P	10	19	21	11	RSVW1405B-2.5P
<b>20</b>	5	3.175	2.5x1	625	1450	40	43	M36x1.5P	12	23	27	15	RSVW2005B-2.5P
<b>25</b>	5	3.175	2.5x1	720	1830	42	48	M40x1.5P	15	28	32	18	RSVW2505B-2.5P
			2.5x2	1120	3710	37	RSVW2505B-5.0P						
	10	6.350	2.5x1	1720	3590	44	68	M42x1.5P	15	34	37	21	RSVW2510F-2.5P
			2.5x2	3200	7170	40	RSVW2510F-5.0P						
<b>32</b>	10	6.350	2.5x1	1930	4680	55	72	M50x1.5P	18	37	44	25	RSVW3210F-2.5P
			2.5x2	3130	9410	49	RSVW3210F-5.0P						
<b>40</b>	10	6.350	3.5x2	4450	16800	65	128	M60x2.0P	25	44	52	81	RSVW4010F-7.0P
<b>50</b>	10	6.350	3.5x2	4940	21000	80	143	M75x2.0P	40	48	62	98	RSVW5010F-7.0P

# Technisches Datenblatt – FSBW



Screw size		BASIC RATE LOAD(kgf)				BALLNUT DIMENSION							STIFFNESS	Nut Model No.	
O.D.	Lead	Ball DIA.	Effective turns circuitxrow	Dynamic (1×10 <sup>6</sup> REV.) Ca	Static Co	O.D. D	Length L	Flange			Assembly Hole X	Oil Hole Q	kgf/μm		
								A	T	W	H				
<b>12</b>	5	2.000	2.5x1	270	350	26	40	47	10	37	30	4.5	M6x1P	8.2	FSBW1205Z-2.5P
<b>14</b>	4	2.381	3.5x1	500	1100	31	40	50	10	40	37	4.5	M6x1P	15	FSBW1404A-3.5P
	5	3.175	2.5x1	515	990	32	40	50	10	40	38	4.5	M6x1P	11	FSBW1405B-2.5P
<b>16</b>	5	3.175	2.5x1	570	1130	34	40	54	10	44	40	4.5	M6x1P	13	FSBW1605B-2.5P
<b>20</b>	4	2.381	2.5x1	415	850	40	41	59	10	50	46	4.5	M6x1P	14	FSBW2004A-2.5P
	5	3.175	2.5x1	620	1450	40	40	59	10	50	46	4.5	M6x1P	16	FSBW2005B-2.5P
<b>25</b>	4	2.381	2.5x1	450	980	43	41	67	10	55	50	4.5	M6x1P	17	FSBW2504A-2.5P
	5	3.175	2.5x1	720	1830	43	40	67	10	55	50	5.5	M6x1P	18	FSBW2505B-2.5P

# Technisches Datenblatt – SSVW



### BALLNUT DIMENSION

Screw size		Ball DIA.	Effective turns circuit x row	BASIC RATE LOAD(kgf)		Length	Width	Height	Assembly Hole			Position of Oil Hole		Height from Reference Surface		STIFFNESS kgf/μm	Nut Model No.	
O.D.	Lead			Dynamic (1×10 <sup>6</sup> REV.) Ca	Static Co	L	W	H	A	B	C	JxK	E	F	G			U
<b>14</b>	4	2.381	3.5x1	500	1110	35	34	13	22	26	6.5	M4x7	6	2	6	18	15	SSVW1404A-3.5P
	5	3.175	2.5x1	515	990	35	34	13	22	26	6.5	M4x7	6	2	6	18	11	SSVW1405B-2.5P
<b>16</b>	5	3.175	2.5x1	590	1210	35	42	16	22	32	6.5	M5x8	6	2	8	21	13	SSVW1605B-2.5P
<b>20</b>	5	3.175	2.5x1	625	1450	35	48	17	22	35	6.5	M6x10	6	3	9.15	22	15	SSVW2005B-2.5P
	10	4.762	2.5x1	1100	2220	58	48	18	35	35	11.5	M6x10	10	2	9.5	25	16	SSVW2010D-2.5P
<b>25</b>	5	3.175	2.5x1	720	1830	35	60	20	22	40	6.5	M8x12	7	5	9.5	25	18	SSVW2505B-2.5P
	10	6.350	2.5x2	3240	7170	94	60	23	60	40	17	M8x12	10	-	10	30	40	SSVW2510F-5.0P

<b>28</b>	6	3.175	2.5x2	1380	4140	67	60	22	40	40	13.5	M8x12	8	5	10	27	39	SSVW2806B-5.0P
<b>32</b>	10	6.350	2.5x1	1930	4680	64	70	26	45	50	9.5	M8x12	10	-	12	36	25	SSVW3210F-2.5P
			2.5x2	3130	9410	94			60		17						49	SSVW3210F-5.0P