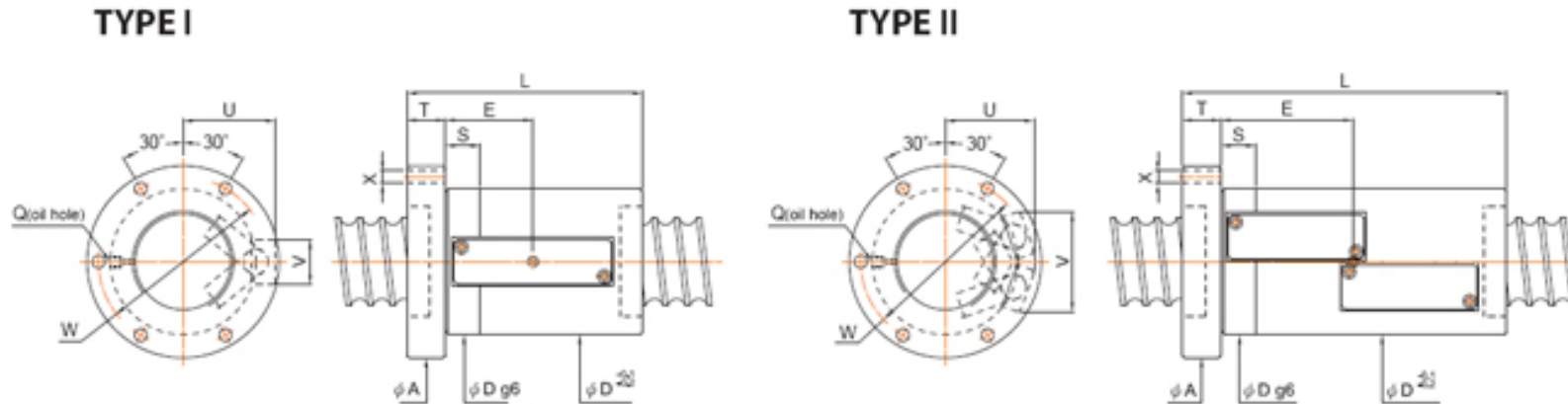


Technisches Datenblatt – PMI FSVH



Screw size		Ball DIA.	Effective turns circuitxrow	BASIC RATE LOAD(kgf)		Nut		Flange		Fit	Oil hole		Bolt	Return tube		Type	
O.D.	Lead			Dynamic (1x10 ⁶ REV.) Ca	Static Co	Dg6	L	A	T		W	S		Q	E		X
40	10	7.938	3.5x2	15000	41800	66	124	98	18	83	20	M6x1P	50.75	9	51	43	II
	12	9.525	3.5x2	18600	48200	70	156	103	18	86	20	M6x1P	58	9	55	45	II
45	10	7.938	3.5x2	15900	47300	70	134	104	18	87	20	M6x1P	54.2	9	54	45	II
50	10	7.938	3.5x2	16700	52900	77	133	109	18	92	20	M6x1P	53.7	9	60	48	II
	16	12.7	6x1	24800	63700	95	168	128	28	112	20	PT1/8"	70.5	9	32	60	I
			3.5x2	31200	83500								200		86	72	62
20	12.7	3.5x2	31200	84800	95	235	128	28	112	20	PT1/8"	97	9	72	62	II	

55	10	7.938	3.5x2	17500	58500	80	153	114	28	97	20	PT1/8"	62.1	9	61	49	II
	16	12.7	6x1	25800	71800		168						69.5		32	63	I
			3.5x2	32600	94000	100	200	133	28	115	20	PT1/8"	84.5	9	77	64	II
63	16	12.7	6x1	27800	81700		168						65.25		32	66	I
			3.5x2	35000	107000	105	202	138	28	122	25	PT1/8"	82.25	9	80	67	II
			6x2	50300	164000		266						114.25		80	67	II
	20	15.875	2.5x2	35900	99300		210						96				II
			3.5x2	46600	134700	117	246	157	32	137	25	PT1/8"	105.5	11	88	74	II
	25	15.875	2.5x2	35900	99300	117	235	157	32	137	25	PT1/8"	91	11	88	75	II
80	16	12.7	6x1	30900	104400		172						64		36	73	I
			3.5x2	39000	136700	120	205	158	32	139	25	PT1/8"	84	9	89	74	II
			6x2	56000	208700		275						122		89	74	II
	20	15.875	2.5x2	40100	127000		210				25		87.5				II
			3.5x2	52100	172400	130	250	168	32	150	25	PT1/8"	107.5	11	90	83	II
	25	19.05	6x2	75000	263200		330					30	147.5				
3.5x2			67700	206100		305					25	119					II
6x2			97200	314600	145	402	188	40	165		30	168	11	108	94	II	
100	16	12.7	6x1	34200	133200		172						63.5		38	85	I
			3.5x2	43200	174500	145	205	185	32	165	25	PT1/8"	79.5	11	98	85	II
			6x2	62000	266300		275						117.5		98	85	II
	20	15.875	2.5x2	44800	160900		205						82				II
			3.5x2	58300	218400	150	245	194	32	172	30	PT1/8"	102	11	107	92	II
			6x2	83800	333300		330					147				II	

	25	19.05	3.5x2	74900	260200		305						122				II
			6x2	107700	397100	165	410	218	40	190	30	PT1/8"	177	11	111	102	II
	16	12.7	6x1	36840	157360		205						84		38	93	I
			3.5x2	46480	206200	173	230	213	40	193	30	PT1/8"	101	11	108	94	II
120	20	15.875	6x1	46000	160800		222						95		54	100	I
			3.5x2	58100	210700	173	260	213	40	193	30	PT1/8"	116	11	121	104	II
	25	19.05	6x1	59200	194500		261						109.5		50	106	I
			3.5x2	82100	314300	173	314	213	40	193	30	PT1/8"	135.5	11	129	109	II