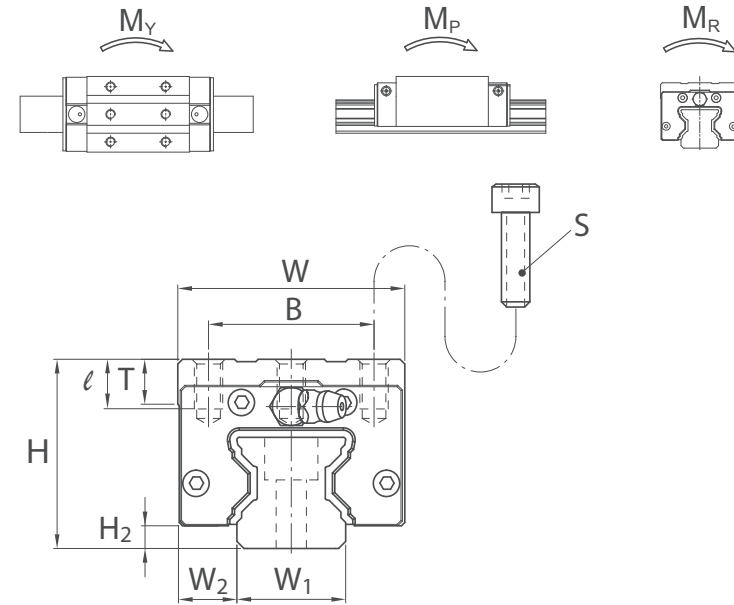
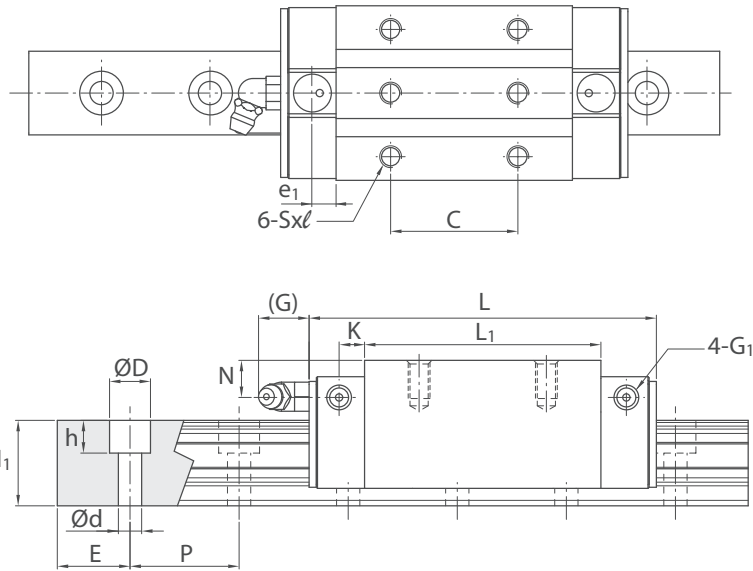


# Dimensions of MSR-S / MSR-LS



Unit: mm

Model No.	External dimension					Carriage dimension												Grease Nipple
	Height H	Width W	Length L	$W_2$	$H_2$	B	C	S	$\ell$	$L_1$	T	N	G	K	$e_1$	$G_1$		
MSR 20 S MSR 20 LS	30	44	89.8 109.8	12	4.6	32	36 50	M5	7	57.8 77.8	8	5	5.15	4	6.5	M4	G-M4	
MSR 25 S MSR 25 LS	40	48	97.5 115.5	12.5	4.8	35	35 50	M6	9	65.5 83.5	9.5	10	12	6.6	6.5	M6	G-M6	
MSR 30 S MSR 30 LS	45	60	112.4 135.2	16	6	40	40 60	M8	12	75.9 98.7	10	10	12	8	7	M6	G-M6	
MSR 35 S MSR 35 LS	55	70	125.3 153.5	18	6.5	50	50 72	M8	14	82.3 110.5	12	15	12	8	7	M6	G-M6	
MSR 45 S MSR 45 LS	70	86	154.2 189.4	20.5	8	60	60 80	M10	19	106.5 141.7	17	20	13.5	10	8	M6	G-PT 1/8	
MSR 55 S MSR 55 LS	80	100	185.4 235.4	23.5	10	75	75 95	M12	19	129.5 179.5	18	21	13.5	12	7.95	M6	G-PT 1/8	
MSR 65 S MSR 65 LS	90	126	238.4 300.4	31.5	12	76	70 120	M16	20	168 230	19.5	16.5	13.5	12	8	M6	G-PT 1/8	

Note: Single: Single carriage/ Double: Double carriages closely contacting with each other.

Unit: mm

Model No.	Rail dimension					Basic load rating		Static moment rating					Weight	
	Width $W_1$	Height $H_1$	Pitch P	E std.	$D \times h \times d$	Dynamic C kN	Static $C_0$ kN	$M_P$ kN-m		$M_Y$ kN-m		$M_R$ kN-m	Carriage kg	Rail kg/m
								Single*	Double*	Single*	Double*			
MSR 20 S MSR 20 LS	20	20	30	20	9.5×8.5×6	22.8 26.6	60.8 74.0	0.51 0.84	2.85 4.24	0.51 0.84	2.85 4.24	0.62 0.69	0.34 0.45	2.6
MSR 25 S MSR 25 LS	23	23.5	30	20	11×9×7	29.6 36.3	63.8 82.9	0.65 1.08	3.82 5.94	0.65 1.08	3.82 5.94	0.73 0.95	0.65 0.85	3.5
MSR 30 S MSR 30 LS	28	27.5	40	20	14×12×9	42.8 54.0	91.9 124.0	1.09 1.96	6.38 10.60	1.09 1.96	6.38 10.60	1.27 1.72	1 1.22	5
MSR 35 S MSR 35 LS	34	30.5	40	20	14×12×9	57.9 73.9	123.5 169.0	1.59 2.94	9.56 16.18	1.59 2.94	9.56 16.18	2.09 2.85	1.65 2.15	7
MSR 45 S MSR 45 LS	45	37	52.5	22.5	20×17×14	92.8 117.2	193.8 261.6	3.28 5.90	18.76 31.32	3.28 5.90	18.76 31.32	4.40 5.94	3.2 4.1	11.2
MSR 55 S MSR 55 LS	53	43	60	30	23×20×16	132.8 172.5	270.0 378.0	5.49 10.60	31.18 55.58	5.49 10.60	31.18 55.58	7.33 10.26	5.1 7	15.6
MSR 65 S MSR 65 LS	63	52	75	35	26×22×18	205.1 277.0	422.7 624.0	11.81 22.50	59.25 117.87	11.81 22.50	59.25 117.87	13.71 20.02	10.1 13.3	22.4